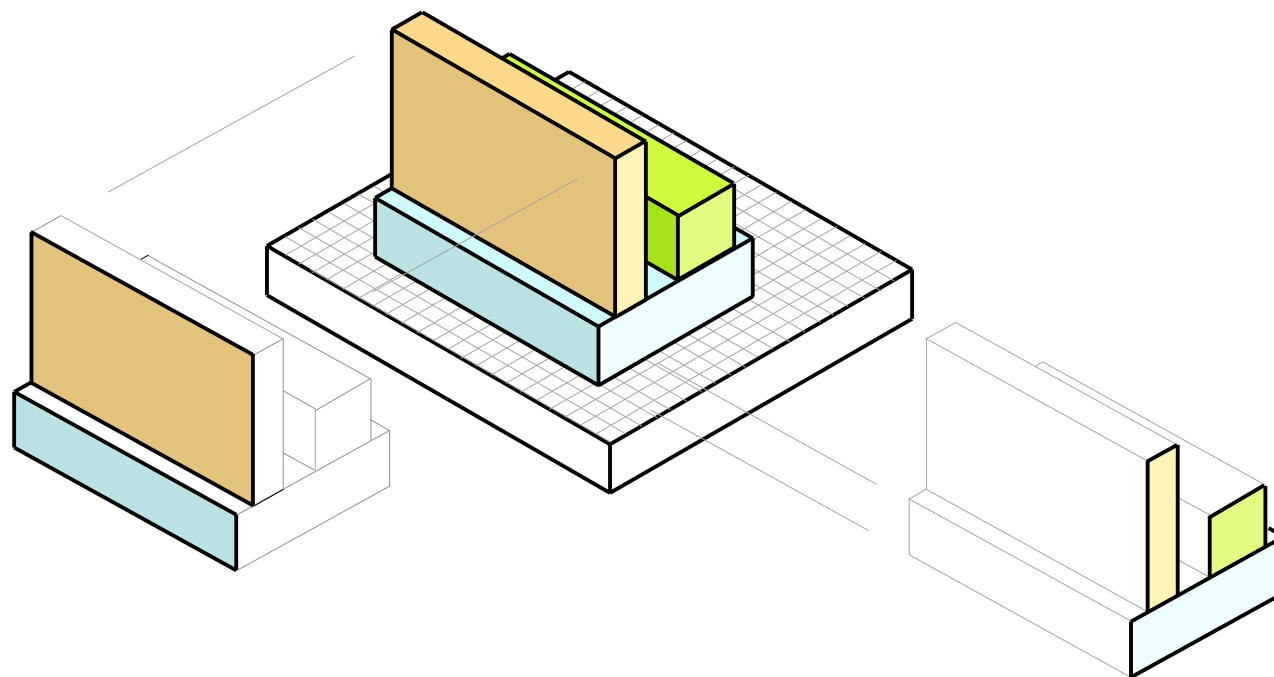


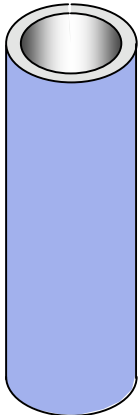
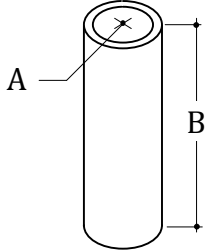
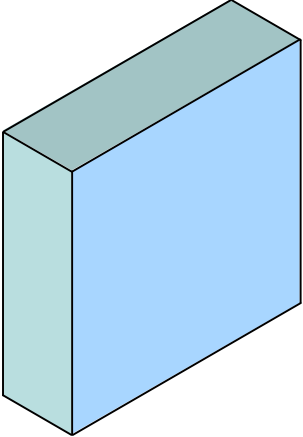
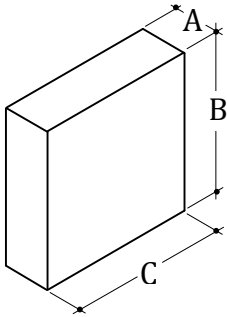


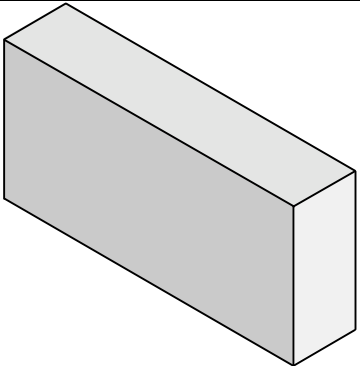
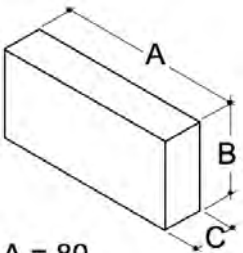

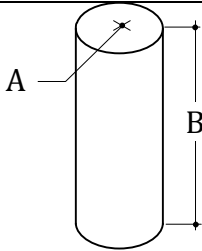
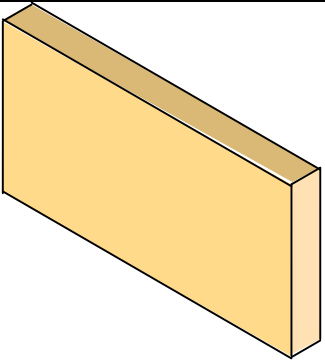
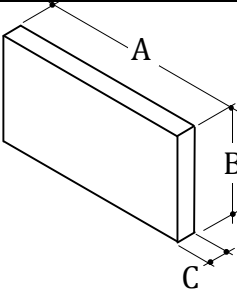
**centre de
développement
pédagogique**
*pour la formation générale
en science et technologie*

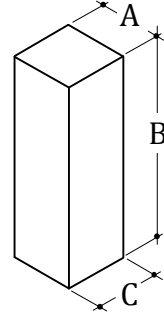
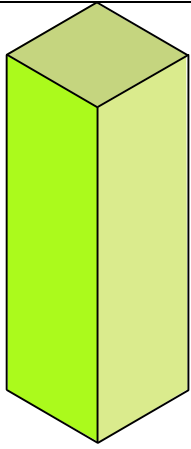
GAME OF PROJECTIONS



WORKING DOCUMENT
Septembre 2012

Identification	Isometric View	Dimensions (mm)	Quantity
Gray PVC Tubing		 <p data-bbox="1129 662 1220 732"> $A = 27$ $B = 80$ </p>	1x
Pine		 <p data-bbox="1073 1127 1163 1230"> $A = 17$ $B = 63$ $C = 63$ </p>	1x

<p>Pine</p>		 <p>A = 80 B = 37 C = 17</p>	<p>1x</p>
<p>Wood Stud</p>		 <p>A = 25 B = 80</p>	<p>1x</p>
<p>Pine</p>		 <p>A = 80 B = 40 C = 8</p>	<p>2x</p>

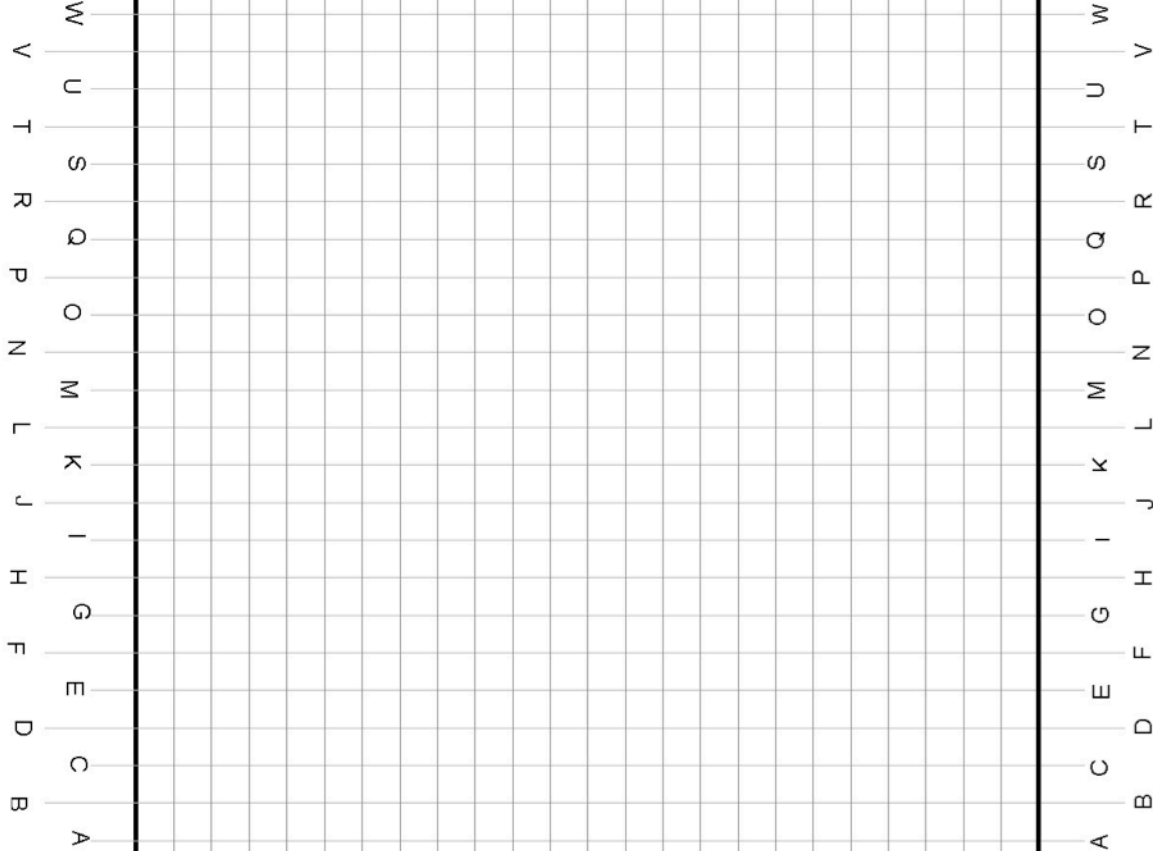


A = 27
B = 80
C = 27

1x

REAR VIEW

1 2 3 4 5 6 7 8 9 10 11 12 13 14 15 16 17 18 19 20 21 22 23



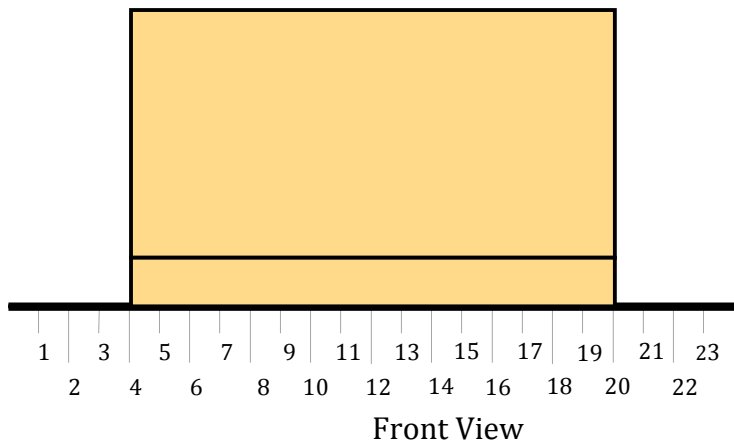
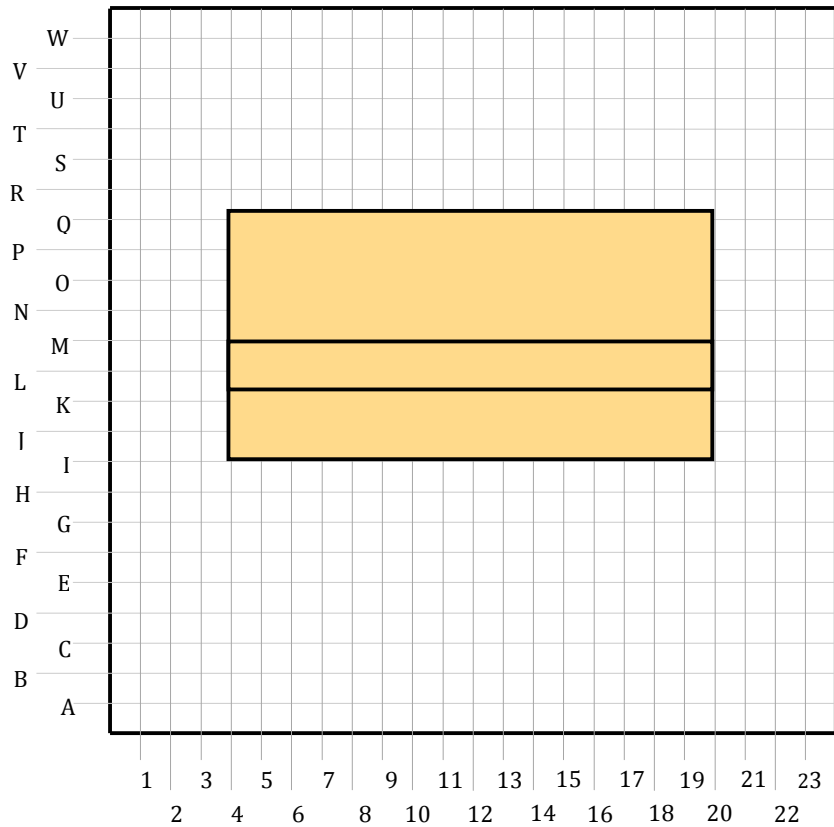
LEFT SIDE VIEW

RIGHT SIDE VIEW

1 2 3 4 5 6 7 8 9 10 11 12 13 14 15 16 17 18 19 20 21 22 23

FRONT VIEW

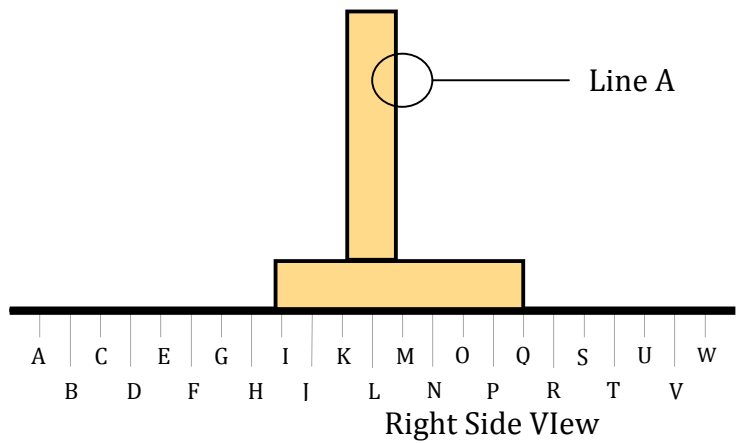
Top View



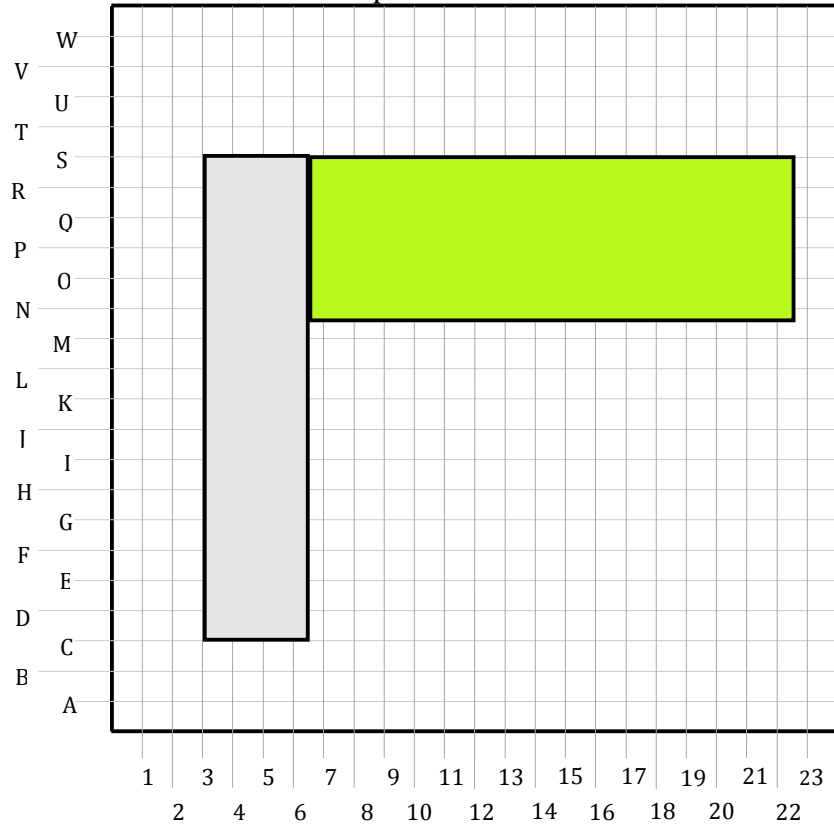
With the three views provided, use the blocks up to reproduce the object on the grid map.

What type of line is line A ?

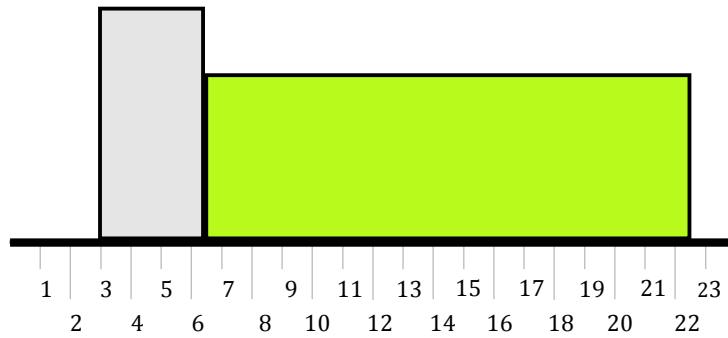
.....



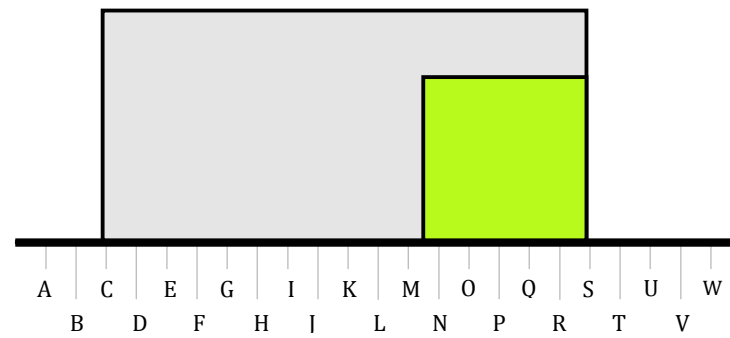
Top View



With the three views provided, use the blocks up to reproduce the object on the grid map.

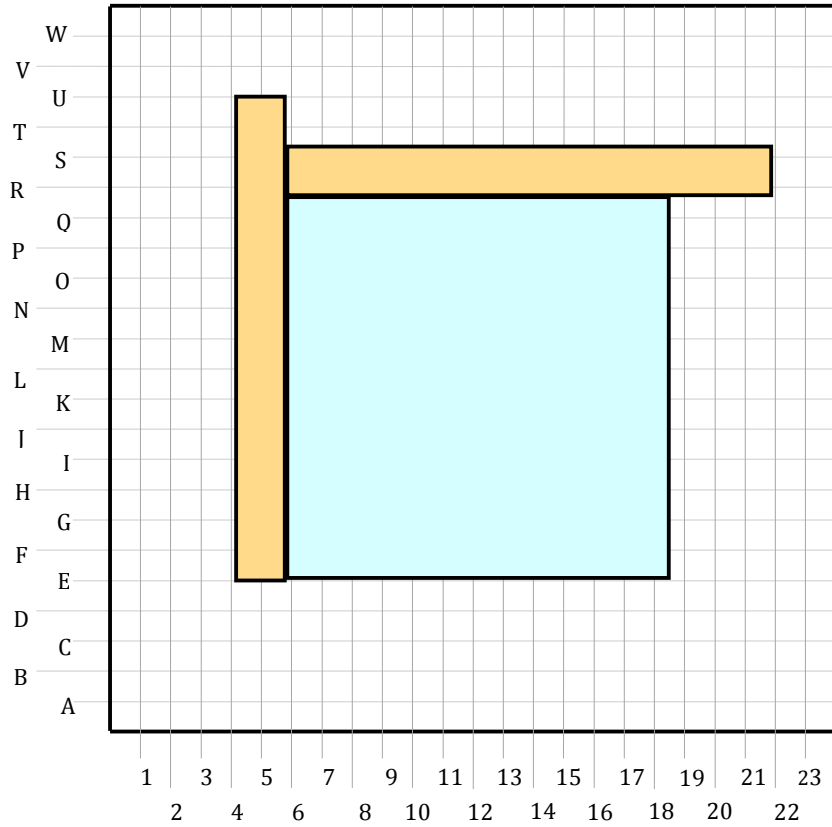


Front View



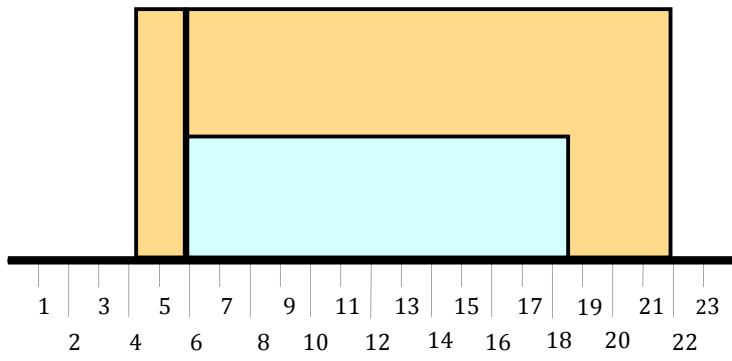
Right Side View

Top View

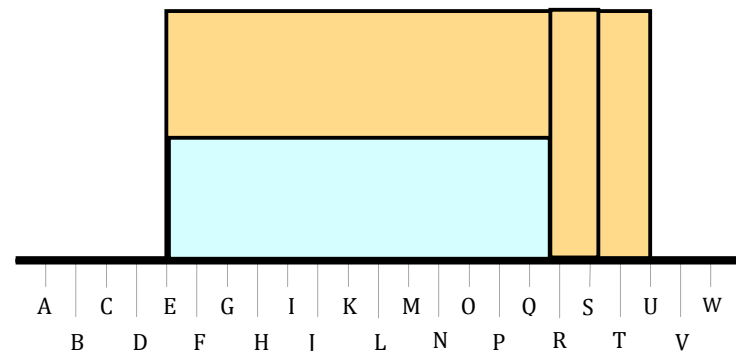


A-03

With the three views provided, use the blocks up to reproduce the object on the grid map.

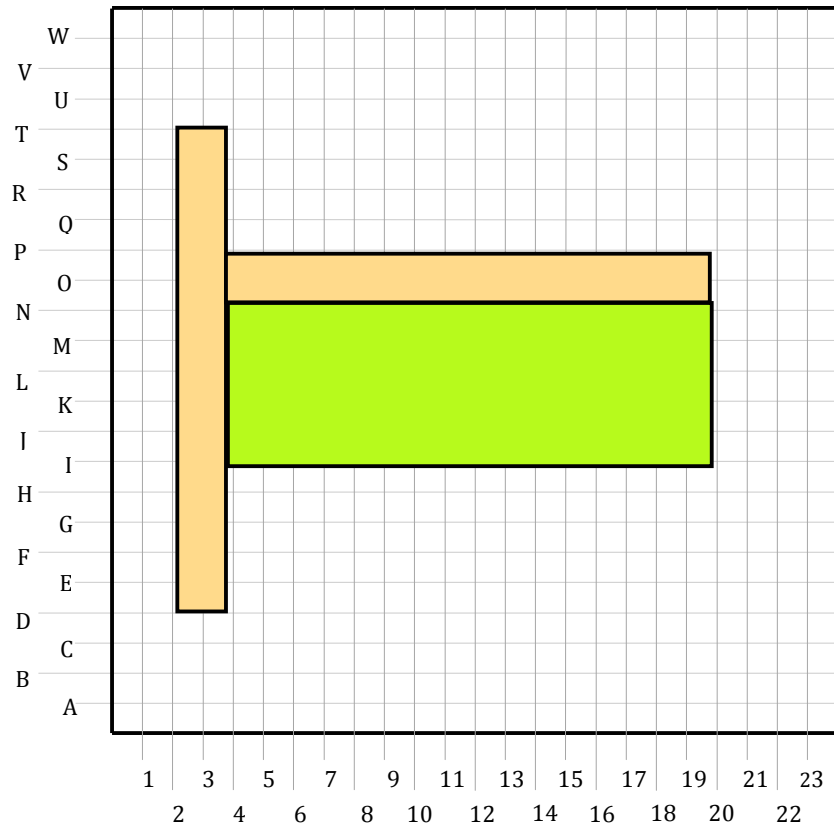


Front View



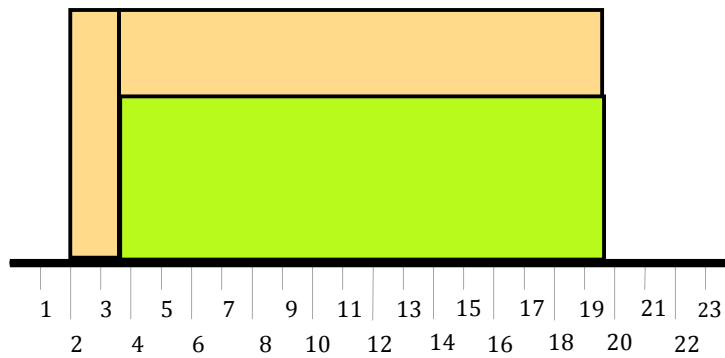
Right Side View

Top View

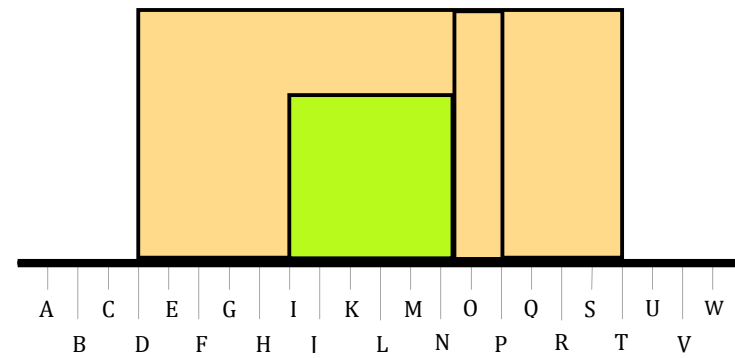


A-04

With the three views provided, use the blocks up to reproduce the object on the grid map.

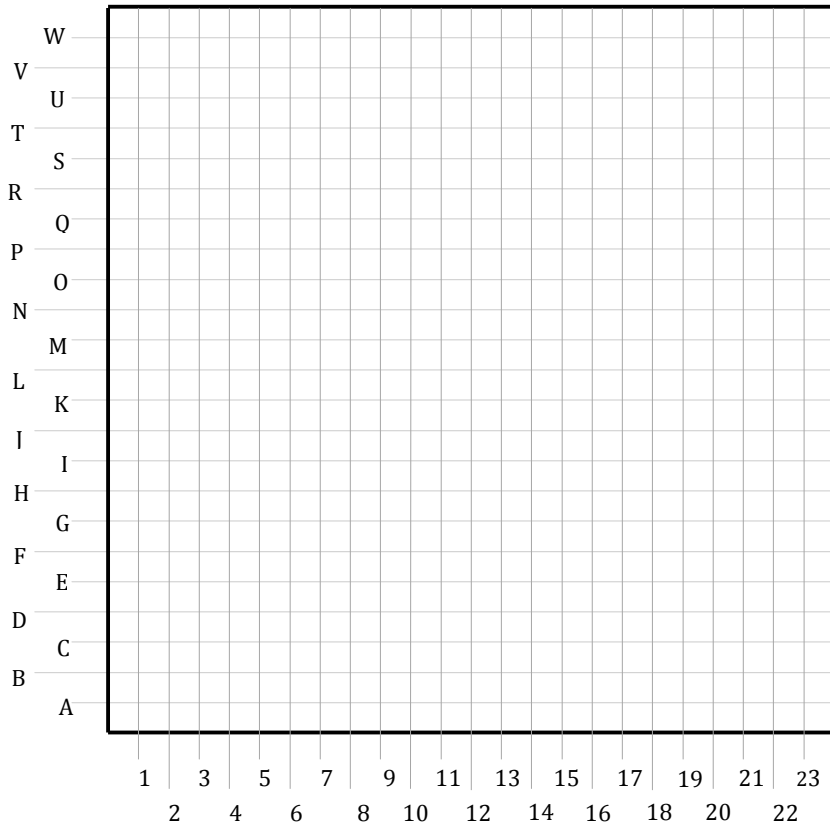


Front View

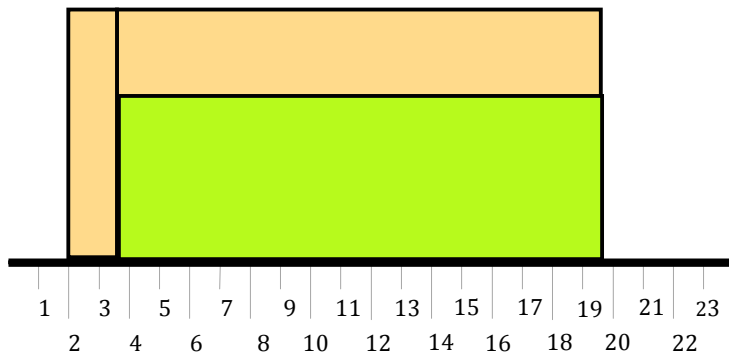


Right Side View

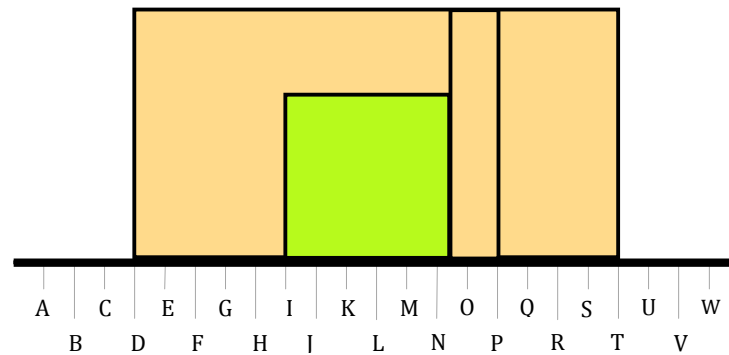
Top View



With the three views provided, use the blocks up to reproduce the object on the grid map.

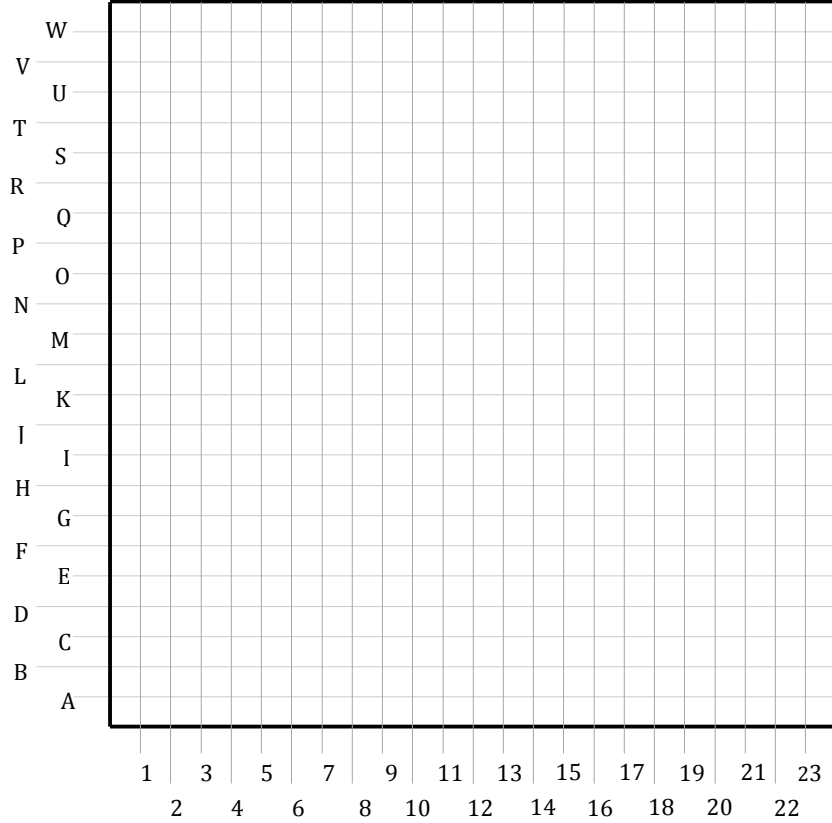


Front View

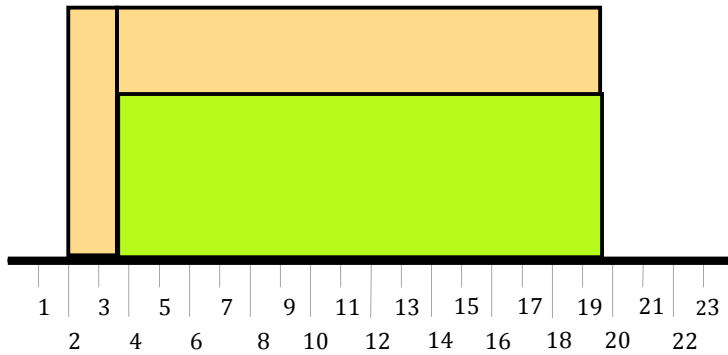


Right Side View

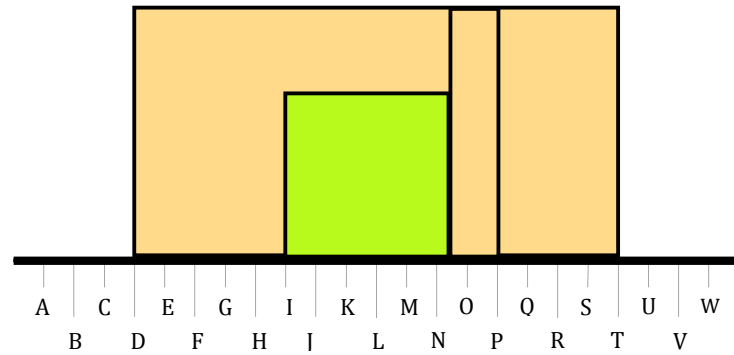
Top View



With the three views provided, use the blocks up to reproduce the object on the grid map.

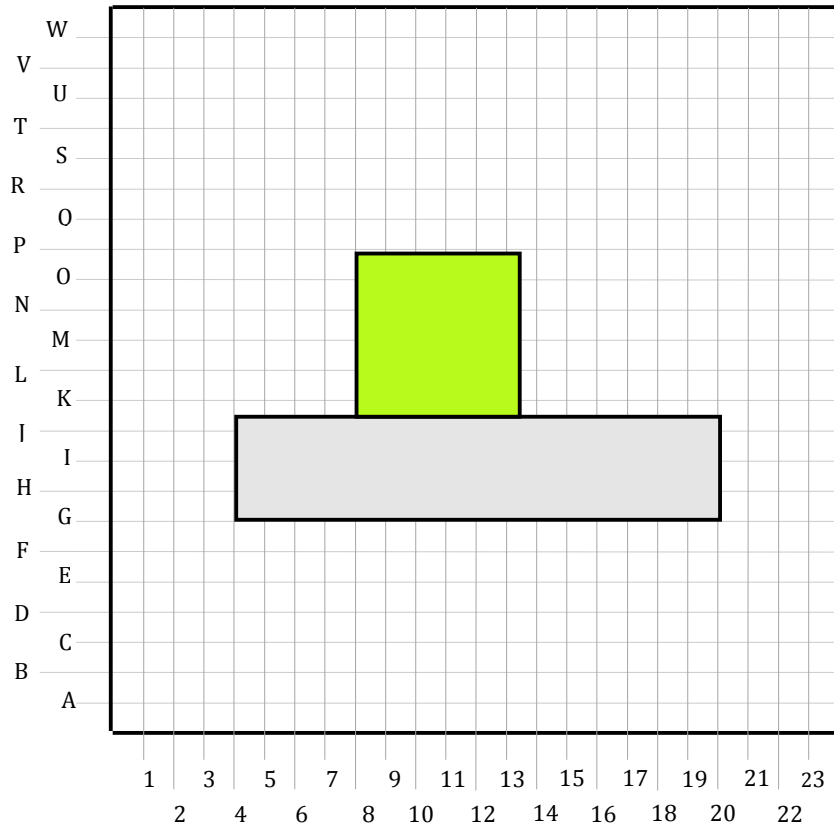


Front View



Right Side View

Top View



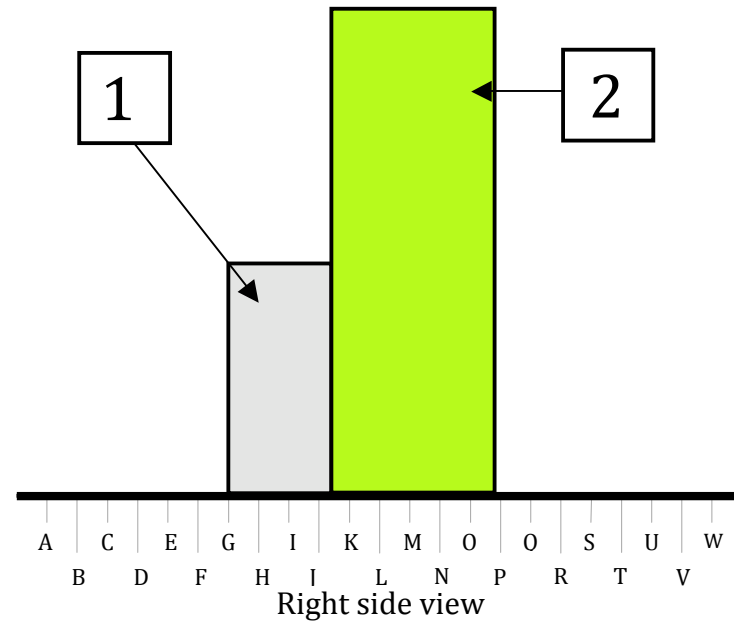
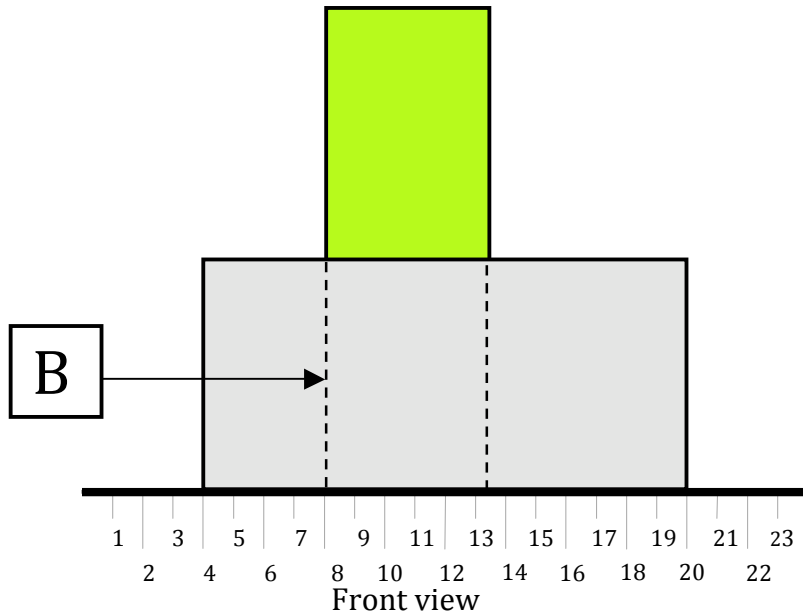
With the three views provided, use the blocks up to reproduce the object on the grid map.

What type of line is line B ?

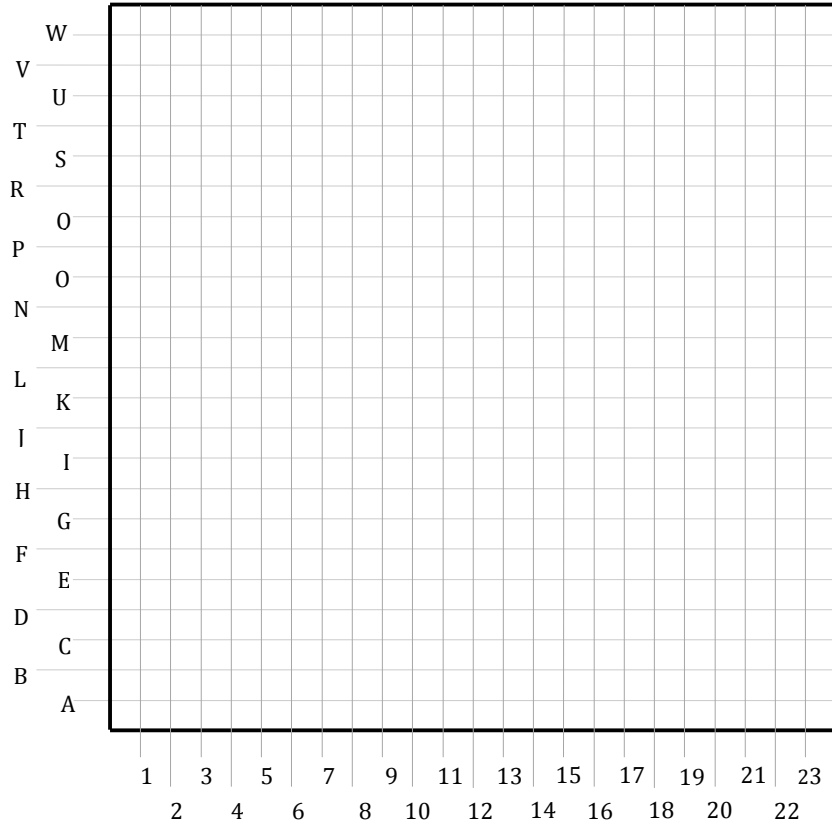
.....

On what view can you determine if the blocks are touching one another ?

.....

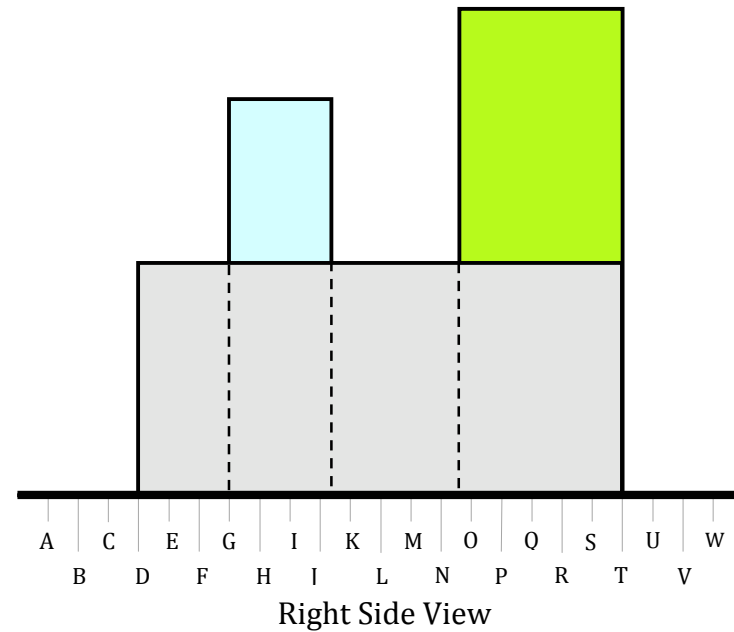
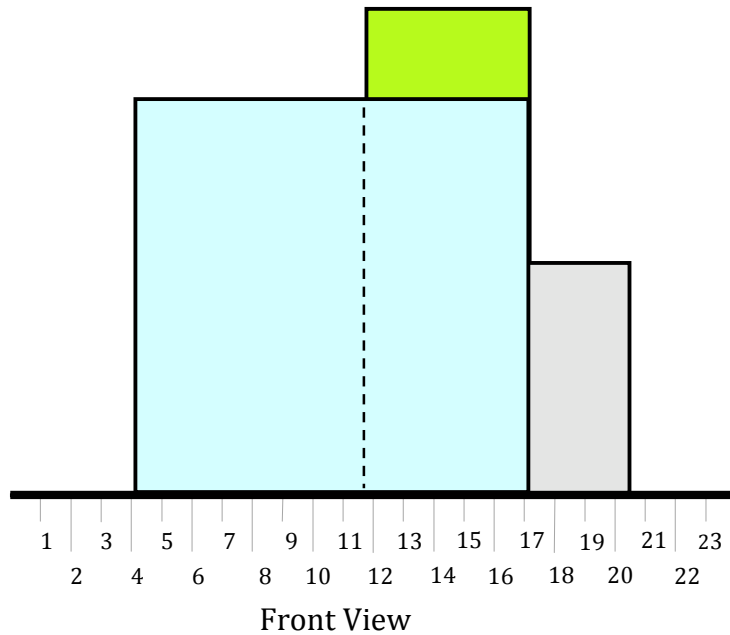


Top View

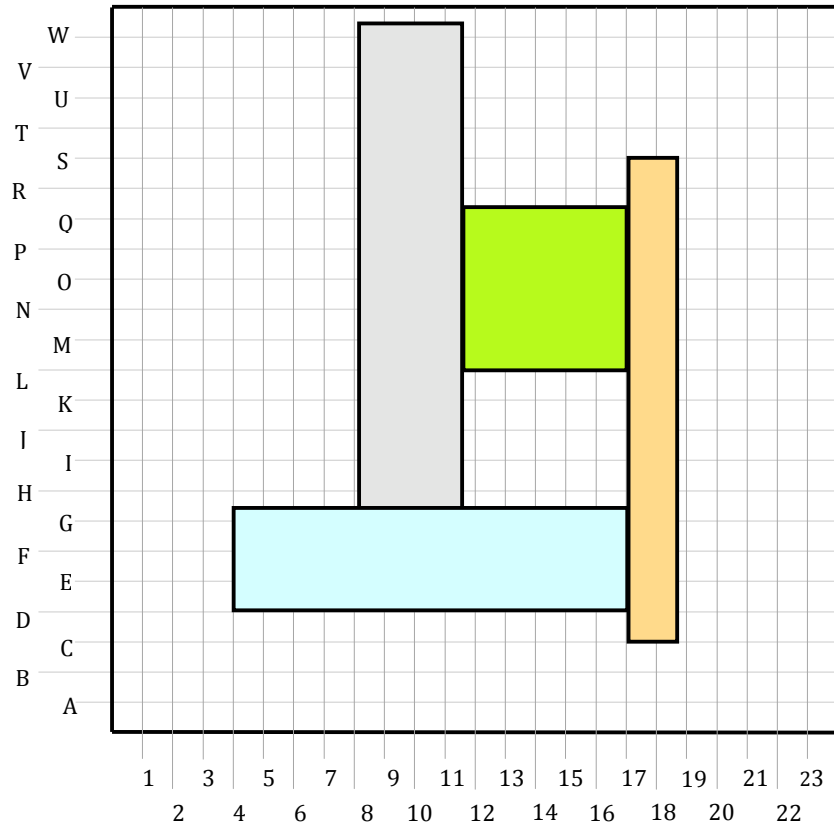


B-03

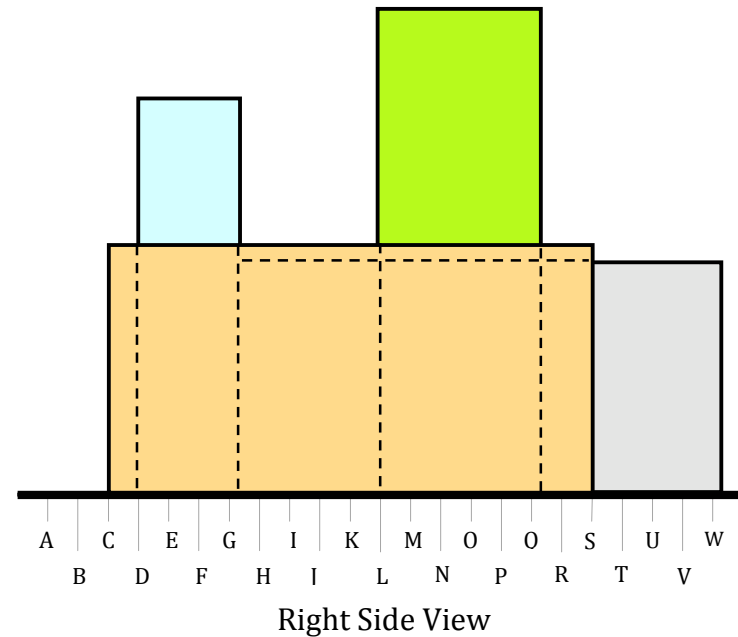
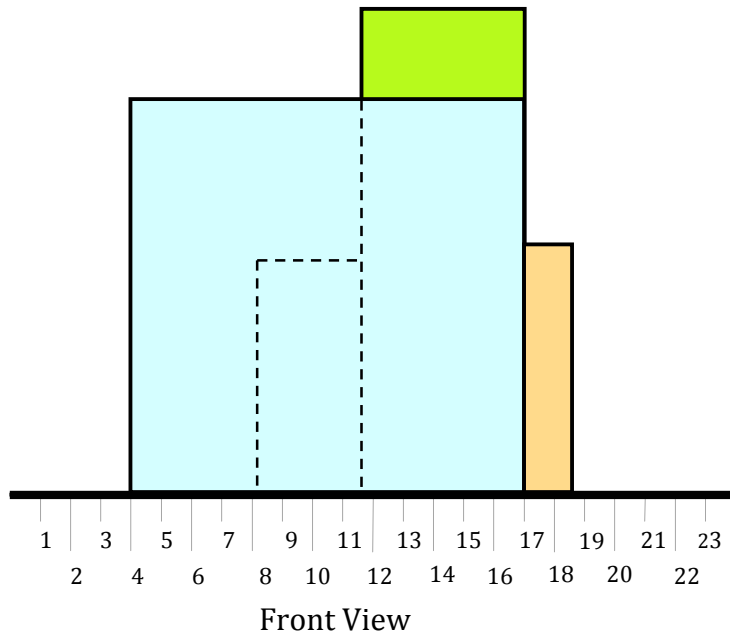
With the three views provided, use the blocks up to reproduce the object on the grid map.



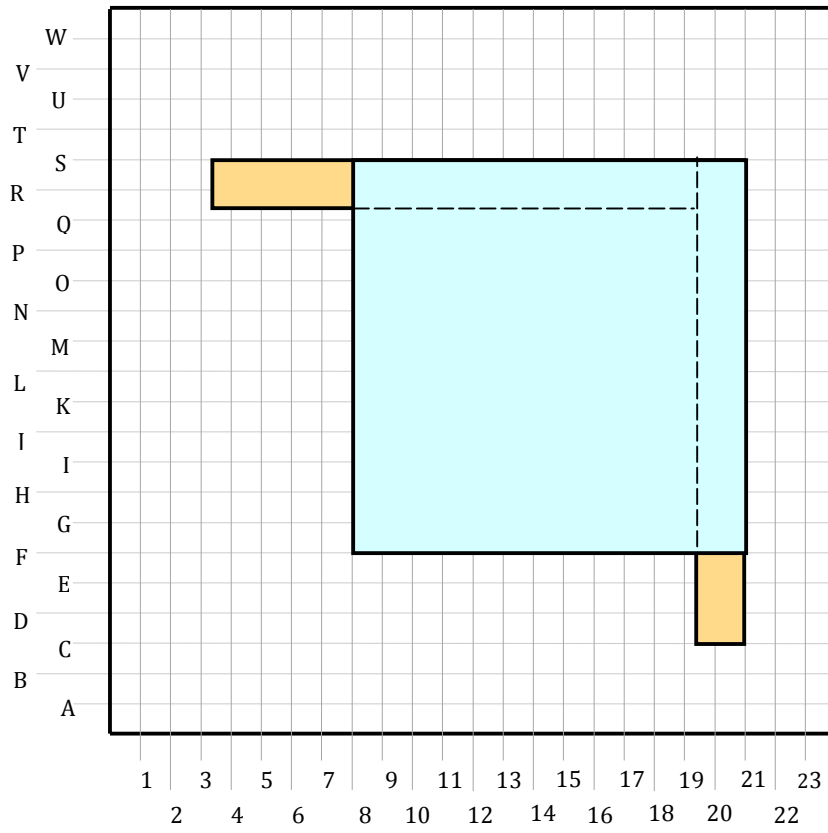
Top View



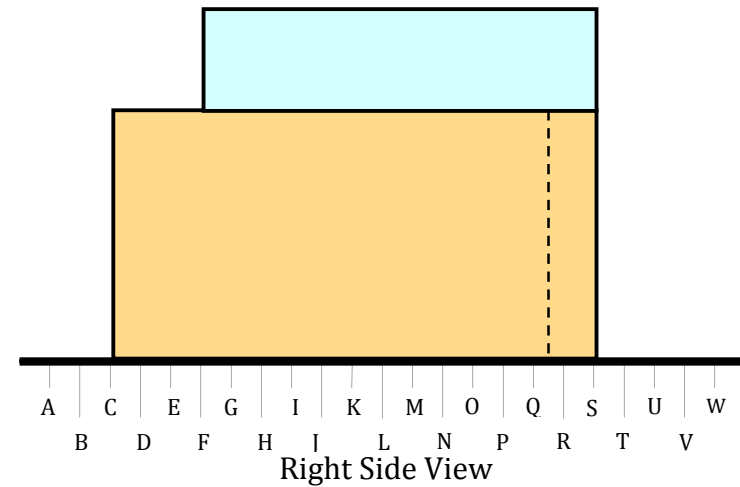
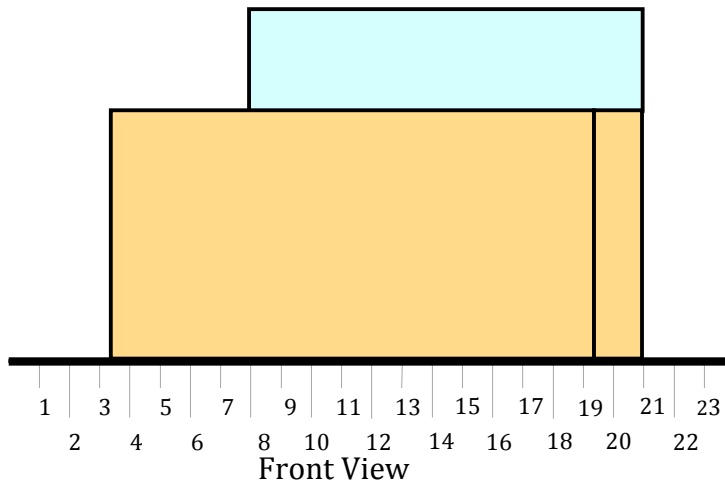
With the three views provided, use the blocks up to reproduce the object on the grid map.



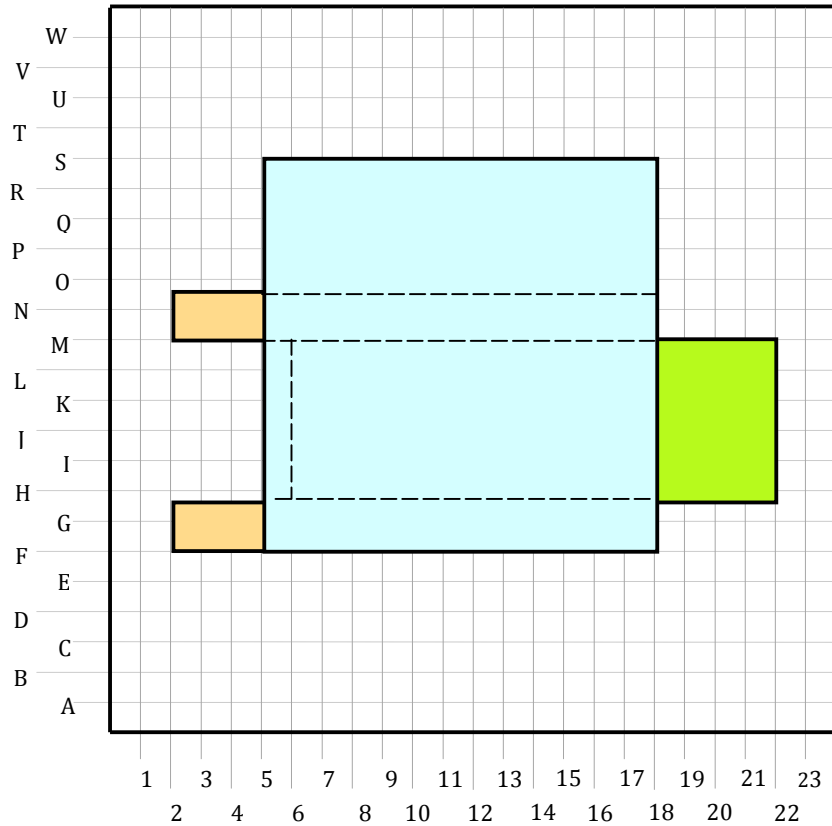
Top View



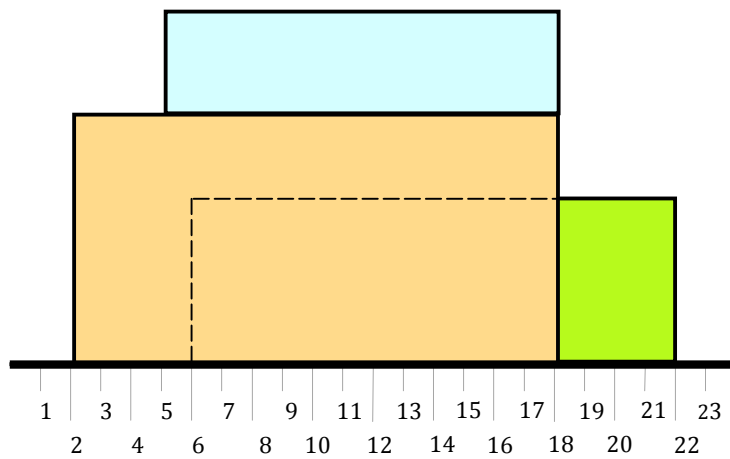
With the three views provided, use the blocks up to reproduce the object on the grid map.



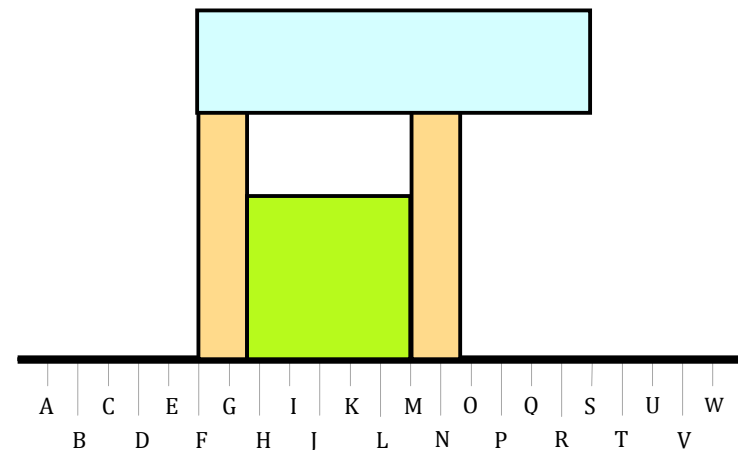
Top View



With the three views provided, use the blocks up to reproduce the object on the grid map.

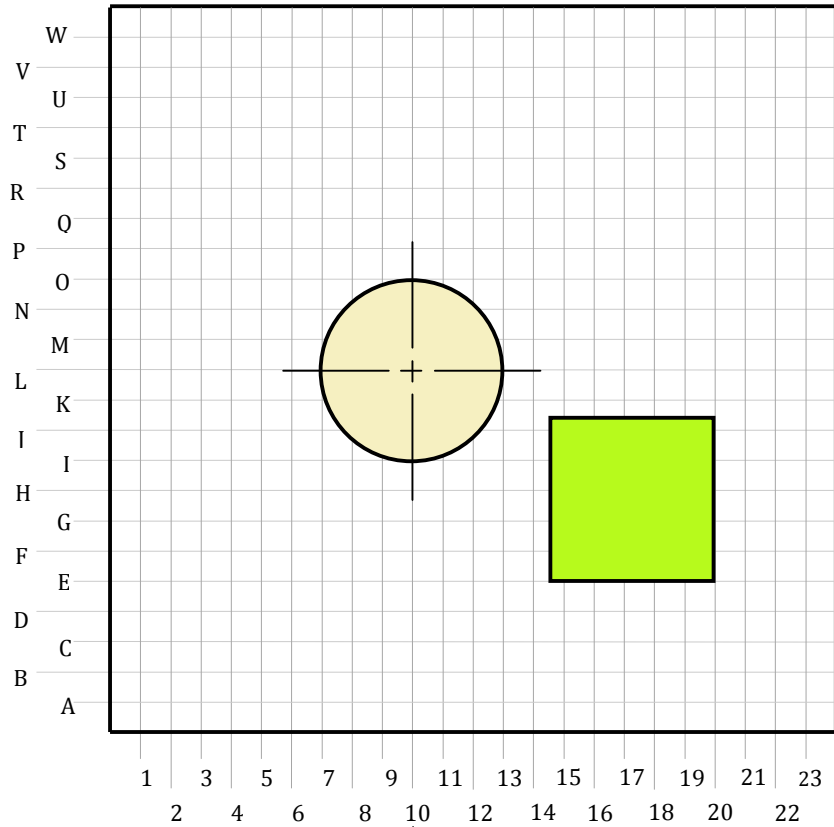


Front View



Right Side View

Top View

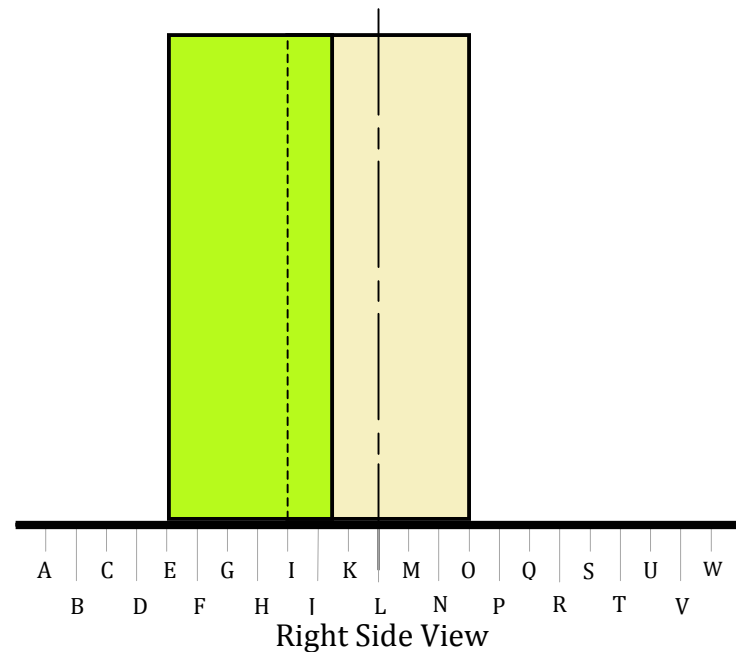
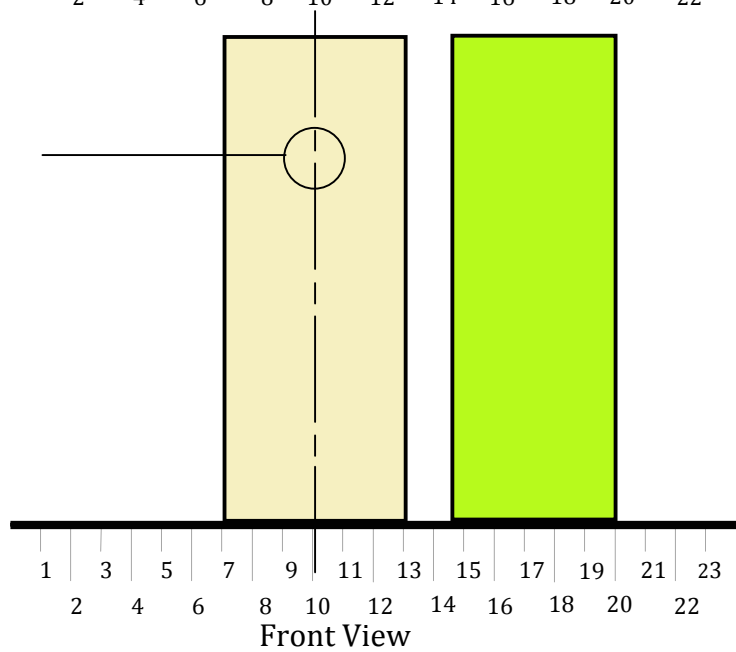


With the three views provided, use the blocks up to reproduce the object on the grid map.

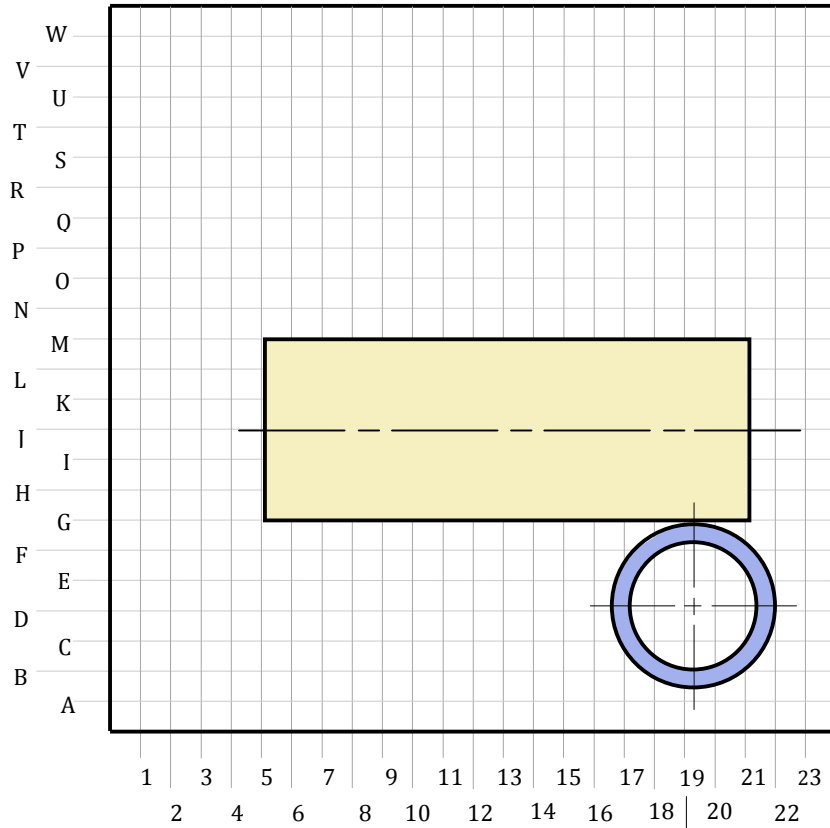
What type of line is line C ?

.....

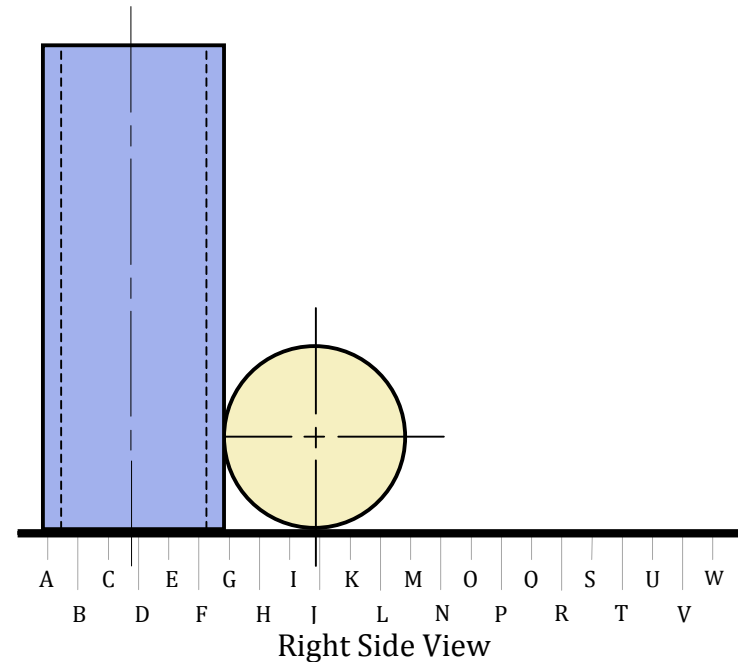
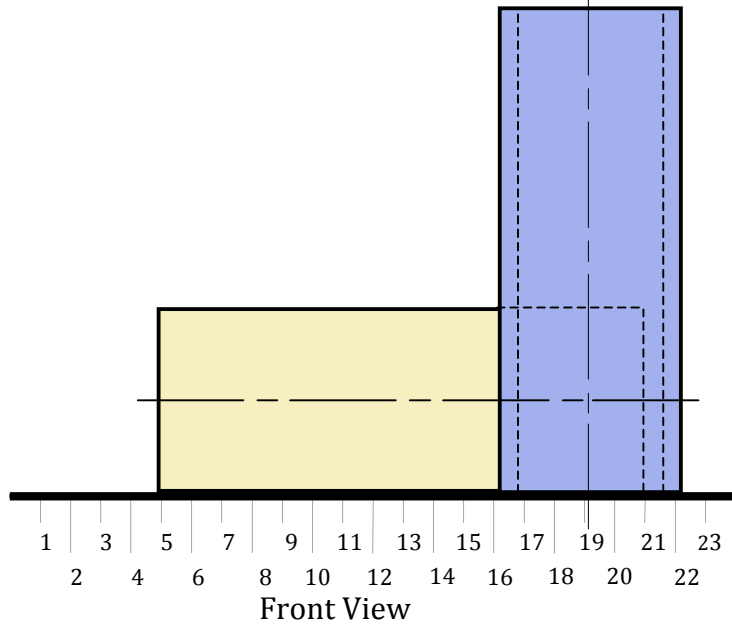
Line C



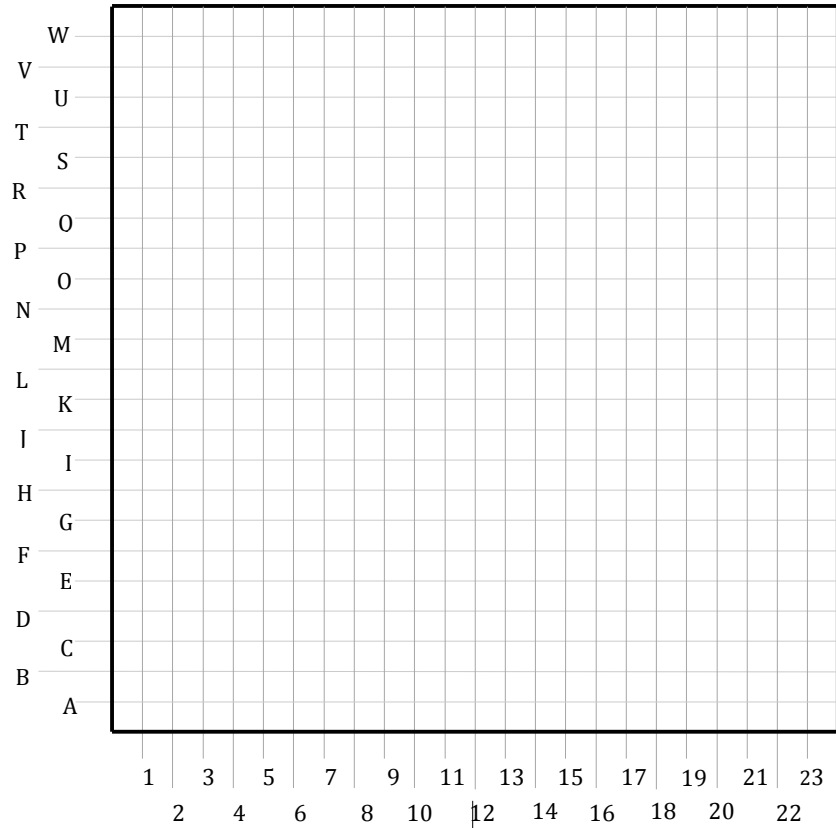
Top View



With the three views provided, use the blocks up to reproduce the object on the grid map.



Top View



C-03

With the two views provided, use the blocks up to reproduce the object on the grid map.

