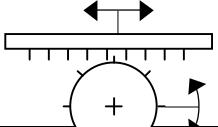
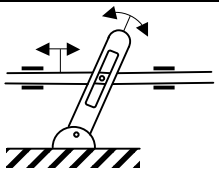
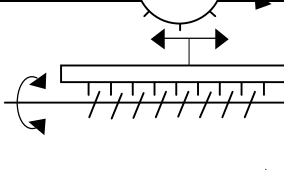
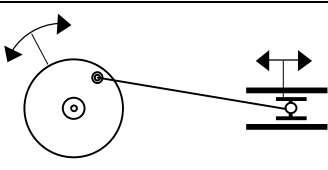
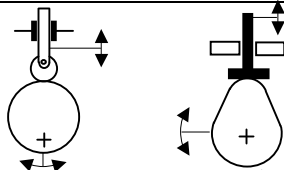
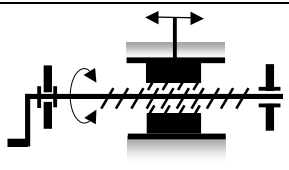
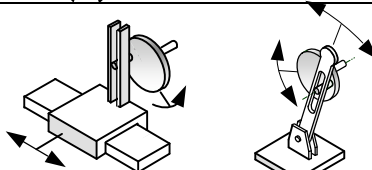
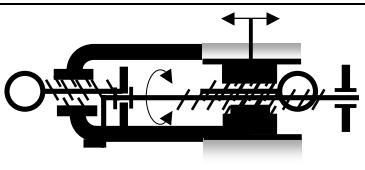
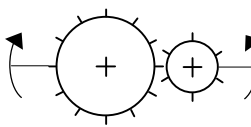
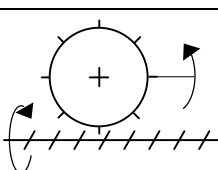
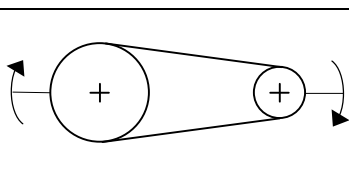
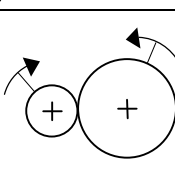
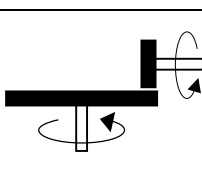
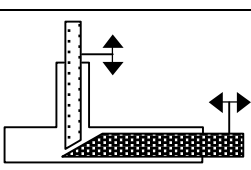
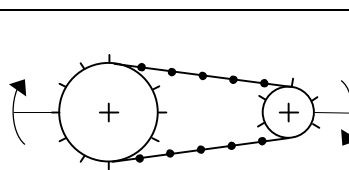
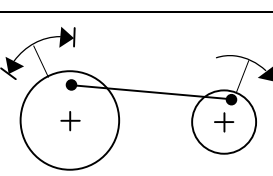
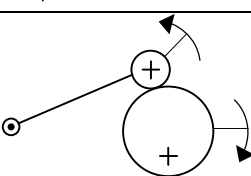
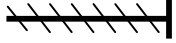









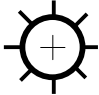




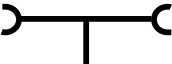



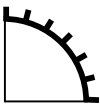


TRANSMISSION AND TRANSFORMATION OF MOVEMENT MECHANISMS

<p>TRANSFORMATION OF MOVEMENT: Mechanical action which changes the nature of the movement (rotation to translation or translation to rotation).</p>	<p>Rack and pinion</p> 
<p>Crank and slide</p> 	<p>Rack and screw</p> 
<p>Rod and crank</p> 	<p>Cam and roller</p> 
<p>Nut and bolt</p> 	<p>Crank and slide</p> 
<p>Nut and bolt</p> 	

<p>TRANSMISSION OF MOVEMENT: Communication of the same movement from one organ to another, with possible variation in speed.</p>	<p>Gears</p> 
<p>Gear and worm drive</p> 	<p>Pulley and belt</p> 
<p>Friction wheels (side by side)</p> 	<p>Friction wheels (vertical and horizontal)</p> 
<p>Wedge system</p> 	<p>Chain and gears</p> 
<p>Crank - rod - crank</p> 	<p>Cam and roller</p> 

SOME USEFUL SYMBOLS FOR DIAGRAMMING

			
Bolt	Nut	Nut and bolt system	Complete flat linkage (2 surfaces)
			
Part free for rotation and linked for translation	Part free for rotation and translation	Complete linkage	Part free for translation and linked for rotation
			
Cantilever cylindrical joint	Compression spring	Gear	Wheel or pulley
			
Cylindrical joint with forks	Tension spring	Gear (side view)	Pulley for cable (side view)
			
Ball joint	Angle spring	Rack	Geared section



**centre de
développement
pédagogique**
*pour la formation générale
en science et technologie*